

1. Installation Preparation - Visually inspect liners for damage.

Installation Kit Includes:

Gaskets, Anchors w/cable, Ratchet fastener clips, Washers, Cable locks, Installation Sheet.

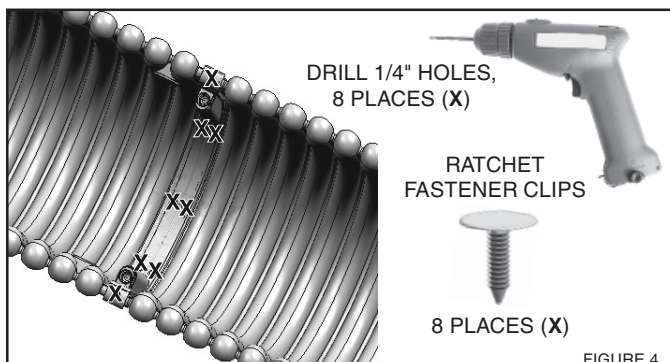
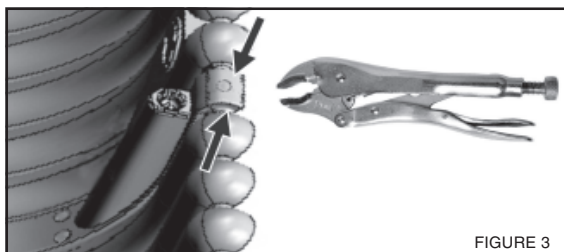
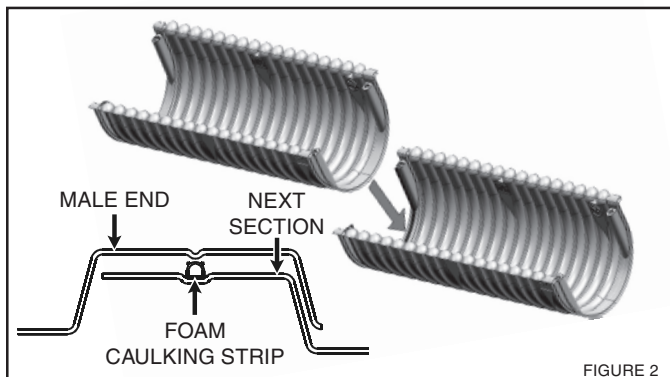
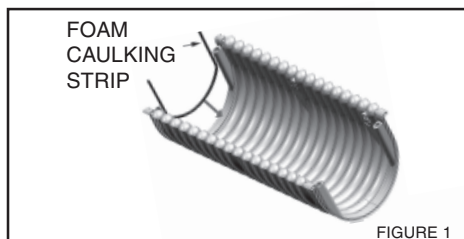
Tools Required:

Battery operated hand drill(s), 1/4" Drill bit, 1/2" Drill bit, Pliers, Wire cutters, Rubber mallet, Vise Grip (2), Utility knife, Sledge hammer, Anchor installation tool (1/2" x 36" rod).

READ ALL INSTRUCTIONS THOROUGHLY BEFORE STARTING.

ALWAYS DO WORK SAFELY. ENSURE THAT THE PROPER SAFETY EQUIPMENT IS USED, TO INCLUDE STEEL-TOED SAFETY SHOES, SAFETY GLASSES, HARD HATS AND GLOVES.

2. Installation



STEP 1

Ensure that ditch has been cleared of all sharp objects rocks and debris on the ditch bed and sides prior to placement of ditch lining sections inside ditch.

STEP 2

Place sections end-to-end along the bank. Ensure that the ditch bank is free of tripping hazards and is level for connecting the ditch sections. (*Connect no more than 10 sections together prior to placement into the ditch.*)

NOTE: 3" of sand bedding is recommended, but not required.

STEP 3 (FIGURE #1)

Install foam gasket strip inside the channel groove (female end).

NOTE: 58" Foam caulking strip for 36" ditch.
39" Foam caulking strip for 24" ditch.

STEP 4 (FIGURE #2)

Nest the section by placing the male end having the "No Swimming" logo over the next section staking column having the foam caulking strip.

STEP 5

Once parts are nested, place one Vise Grip on each side of nested area and clamp to secure for installation of ratchet fasteners.

STEP 6 (FIGURES #3 & #4)

Drill 1/4" holes through both nested liners at the dimples visible on the top side of the male liner and install ratchet fastener clips. (8 fastener clips per connection.)

NOTE: Visually inspect backside of connected liners to ensure that ratchet fastener clips have pushed through and secured overlapped liners.

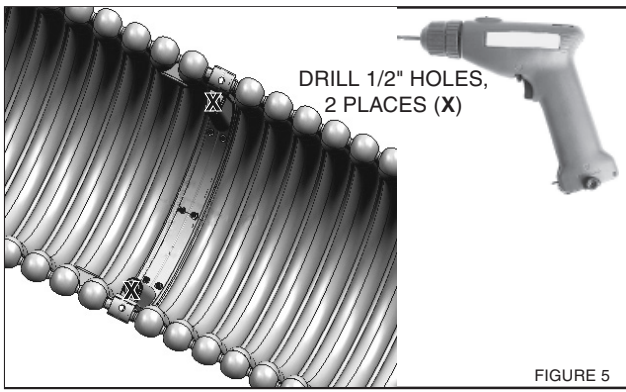


FIGURE 5

STEP 7

Place connected sections into the ditch at desired location.

STEP 8 (FIGURE #5)

Drill 1/2" holes through both nested liners at the recessed barrel of the staking column.

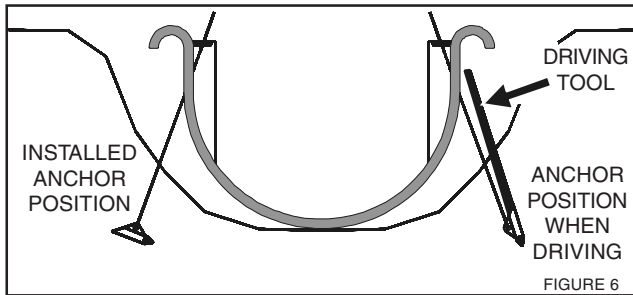


FIGURE 6

STEP 9 (FIGURE #6)

Drive cable anchor into ground at desired location close to staking columns.

Pull up on cable to engage anchor horizontally.

After liners have been placed in the ditch, anchor first section in place. Pull on unanchored end of last section to straighten connected sections tight. Anchor each section.

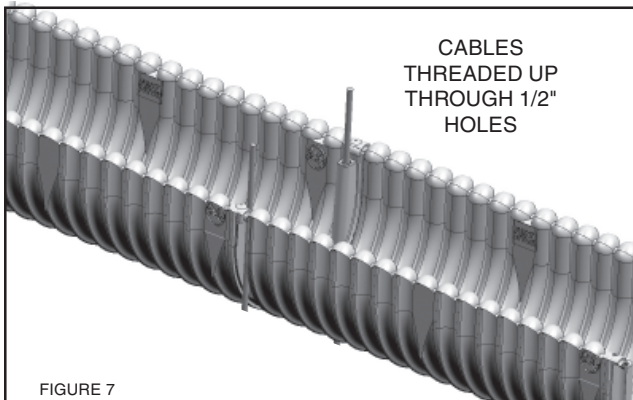


FIGURE 7

STEP 10 (FIGURE #7)

Thread loose end of cable anchor up through 1/2" holes drilled in stake column.

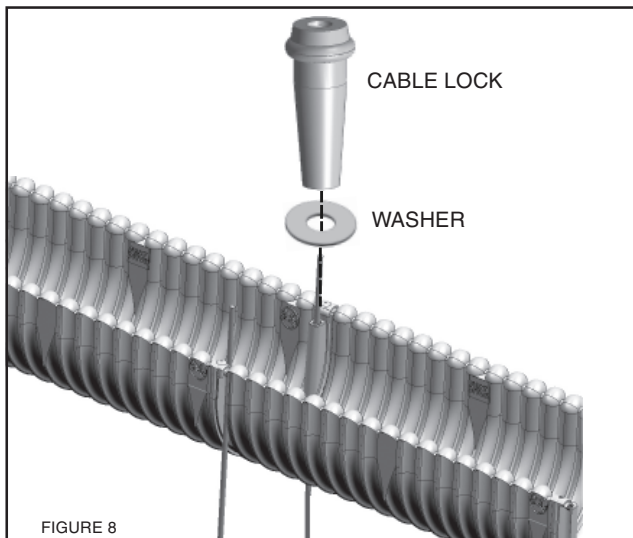


FIGURE 8

STEP 11 (FIGURE #8)

Slide the washer over the cable and on to the stake column. Take a cable lock and thread the cable up through the narrow end of the cable lock and slide the cable lock down snugly against the washer on the stake column.

NOTE: Do not over extend cable anchors such that the section connection is bowed out. (See Figure 8B)

STEP 12

Using a pliers, grip the cable securely and tighten the cable lock until cable anchor is taut. Trim excess cable.

STEP 13

Repeat process to all other stake columns. Cut/trim excess cable flush with cable lock.

STEP 14

Backfill liner as required.

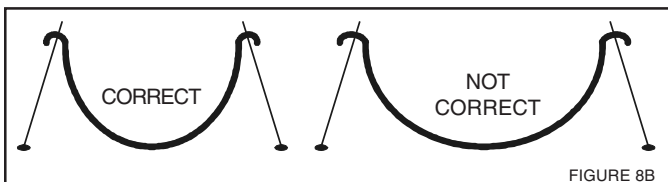


FIGURE 8B